

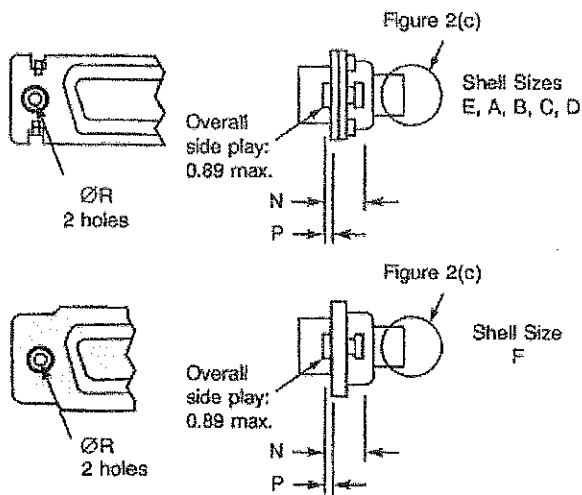
FIGURE 2 - PHYSICAL DIMENSIONS (CONTINUED)

FIGURE 2(c) - RECEPTACLES AND PLUGS

OTHER MOUNTING TYPES

FLOATING MOUNT - TYPE 'Y'

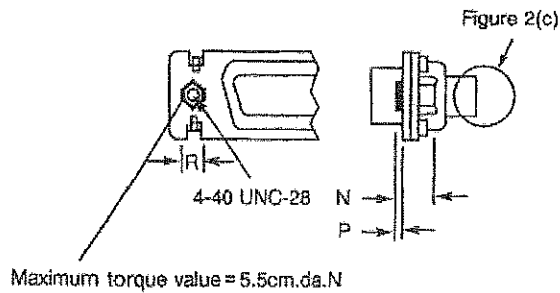
SHELL SIZES E, A, B, C, D AND F



Contact Type	Symbol/Dim.	N	P	ØR
Male	Min.	2.4	0.76	2.2
	Max.	3.3	0.86	2.3
Female	Min.	2.4	0.75	2.2
	Max.	3.3	0.86	2.3

CAPTIVE NUT - TYPE 'E'

SHELL SIZES E, A, B, C AND D



Contact Type	Symbol/Dim.	N	P	R
Male	Min.	3.4	0	4.3
	Max.	4.2	0.4	4.7
Female	Min.	3.4	0	4.3
	Max.	4.2	0.4	4.7

NOTES

1. See Figure 2(a) for other dimensions.