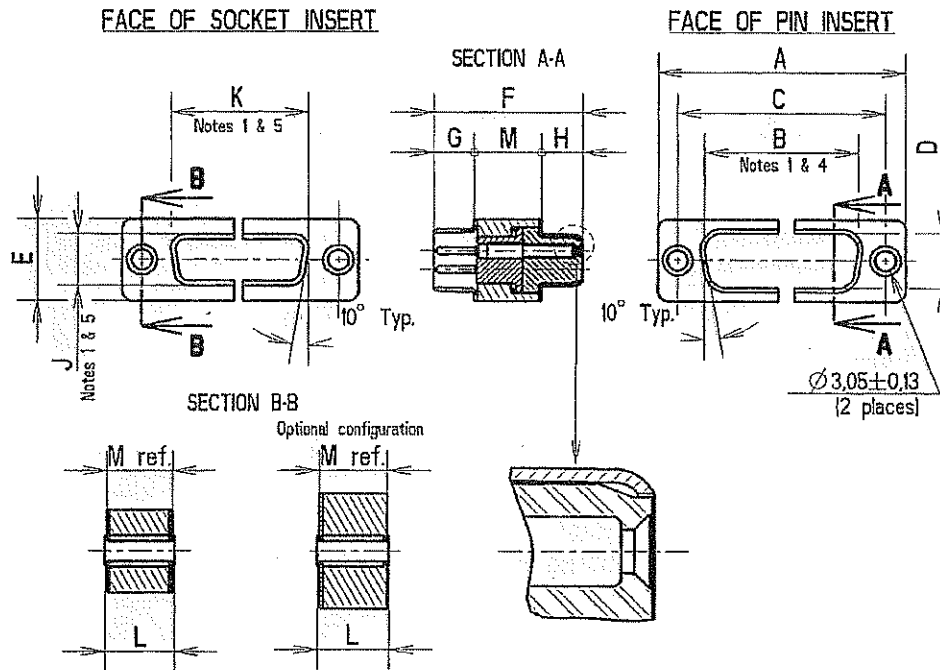




FIGURE 2 – PHYSICAL DIMENSIONS
FIGURE 2 (a) - CONNECTOR SAVERS



NOTES

1. Dimensions B, D, J and K pertain to front and rear shell keystone and are taken at bottom of draw.
2. All dimensions are in millimetres (angles in degrees)
3. Underlined dimensions, in Table, are critical to ensure mateability.
4. Inside dimension for male side.
5. Outside dimension for female side.

Shell Size	Dimensions	A	B	C	D	E	F	G	H	J	K	L	M
E	Min.	30.43	16.79	24.87	8.23	12.17	21.62	5.82	6.05	7.77	16.21	10.21	9.61
	Max.	31.19	17.04	25.12	8.48	12.93	22.12	6.05	6.30	8.03	16.46	10.97	10.11
A	Min.	38.76	25.12	33.20	8.23	12.17	21.62	5.82	6.05	7.77	24.64	10.21	9.61
	Max.	39.52	25.37	33.45	8.48	12.93	22.12	6.05	6.30	8.03	24.79	10.97	10.11
B	Min.	52.65	38.84	46.91	8.23	12.17	21.72	5.69	6.05	7.77	38.25	10.21	9.61
	Max.	53.42	39.09	47.17	8.48	12.93	22.22	5.99	6.30	8.03	38.51	10.97	10.11
C	Min.	68.94	55.30	63.37	8.23	12.17	21.72	5.69	6.05	7.77	54.71	10.21	9.61
	Max.	69.70	55.55	63.63	8.48	12.93	22.22	5.99	6.30	8.03	54.97	10.97	10.11
D	Min.	66.55	52.68	60.99	11.07	14.98	21.72	5.69	6.05	10.62	52.30	10.21	9.61
	Max.	67.31	52.93	61.24	11.33	15.75	22.22	5.99	6.30	10.87	52.55	10.97	10.11
F	Min.	68.94	56.06	63.37	12.65	16.92	21.72	5.69	6.05	12.19	55.47	10.21	9.61
	Max.	69.70	56.31	63.63	12.90	17.68	22.22	5.99	6.30	12.45	55.73	10.97	10.11