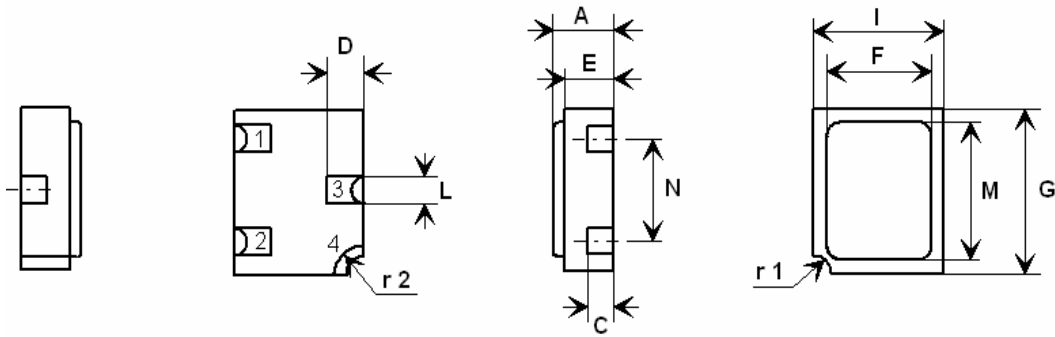


1.4.2 Component Type Variants

The component type variants applicable to this specification are as follows:

Variant Number	Based on Type	Case	Lead/Terminal Material and finish	Weight max g
01	2N3700	TO-18	D2	0.4
02	2N3700	TO-18	D3 or D4	0.4
04	2N3700	CCP	2	0.06
05	2N3700	CCP	4	0.06
06	2N3700	CCP	2	0.06
07	2N3700	CCP	4	0.06

1.6.3 Chip Carrier Package (CCP) - 3 terminal



Symbols	Dimensions mm		Notes
	Min	Max	
A	1.15	1.5	
C	0.45	0.56	2
D	0.6	0.91	2
E	0.91	1.12	
F	1.9	2.15	
G	2.9	3.25	
I	2.4	2.85	
L	0.4	0.6	2
M	2.4	2.65	
N	1.8	2	
r1	0.3 TYPICAL		1
r2	0.56 TYPICAL		

NOTES:

- Terminal identification is specified by reference to the corner notch position where terminal
1 = emitter, terminal 2 = base, terminal 3 = collector, terminal 4 = Shielding connected to the lid.
- Applies to all terminals.