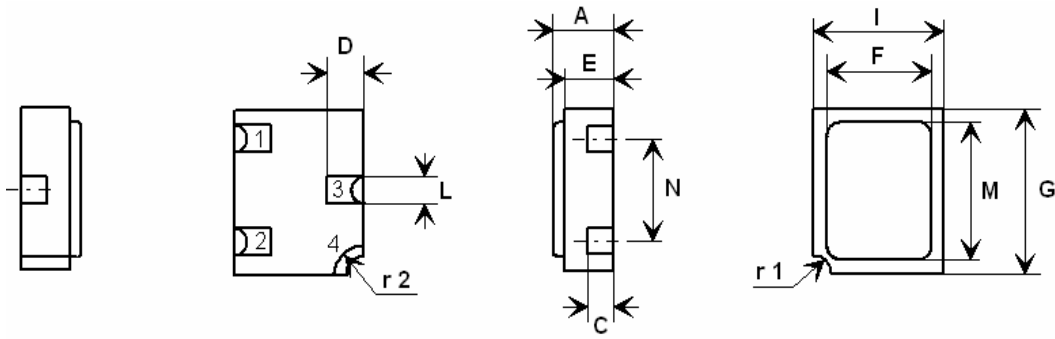


#### 1.4.2 Component Type Variants

The component type variants applicable to this specification are as follows:

<b>Variant Number</b>	<b>Based on Type</b>	<b>Case</b>	<b>Lead/Terminal Material and finish</b>	<b>Weight max g</b>
<b>01</b>	2N3700	<b>TO-18</b>	<b>D2</b>	<b>0.4</b>
<b>02</b>	2N3700	<b>TO-18</b>	<b>D3 or D4</b>	<b>0.4</b>
<b>04</b>	2N3700	<b>CCP</b>	<b>2</b>	<b>0.06</b>
<b>05</b>	2N3700	<b>CCP</b>	<b>4</b>	<b>0.06</b>
<b>06</b>	2N3700	<b>CCP</b>	<b>2</b>	<b>0.06</b>
<b>07</b>	2N3700	<b>CCP</b>	<b>4</b>	<b>0.06</b>

### 1.6.3 Chip Carrier Package (CCP) - 3 terminal



Symbols	Dimensions mm		Notes
	Min	Max	
A	1.15	1.5	
C	0.45	0.56	2
D	0.6	0.91	2
E	0.91	1.12	
F	1.9	2.15	
G	2.9	3.25	
I	2.4	2.85	
L	0.4	0.6	2
M	2.4	2.65	
N	1.8	2	
r1	0.3 TYPICAL		1
r2	0.56 TYPICAL		

#### NOTES:

- Terminal identification is specified by reference to the corner notch position where terminal  
1 = emitter, terminal 2 = base, terminal 3 = collector, terminal 4 = Shielding connected to the lid.
- Applies to all terminals.