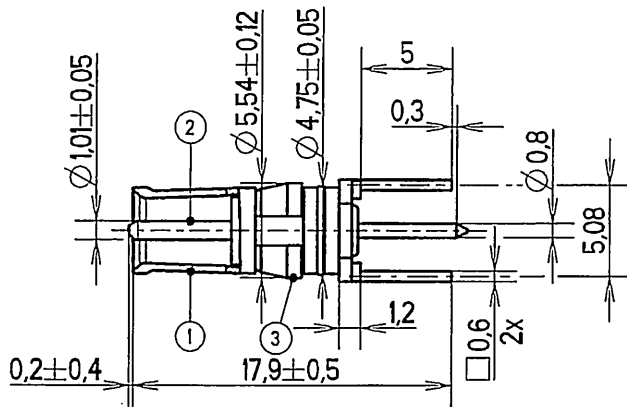


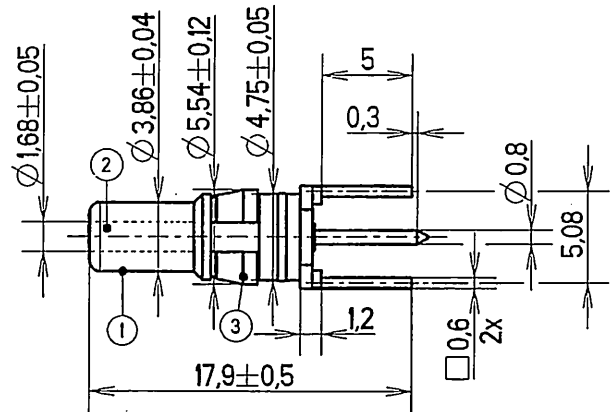
**FIGURE 2(a) – PHYSICAL DIMENSIONS (CONTINUED)**

**Female Coaxial Contact  
(Male Centre Contact)**

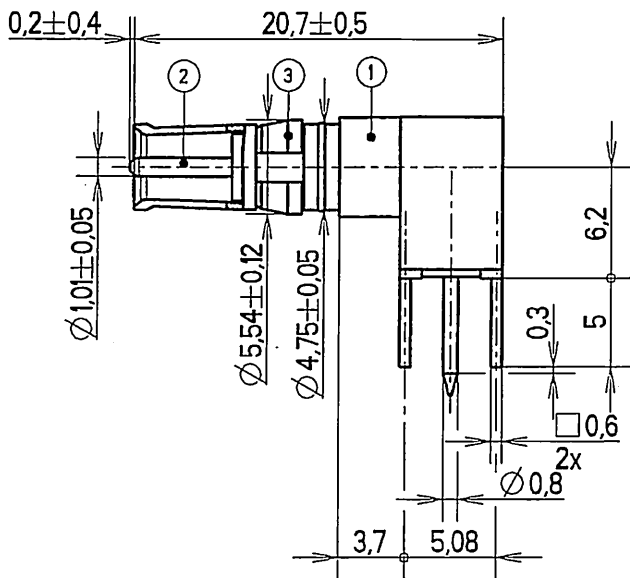


Variant 22

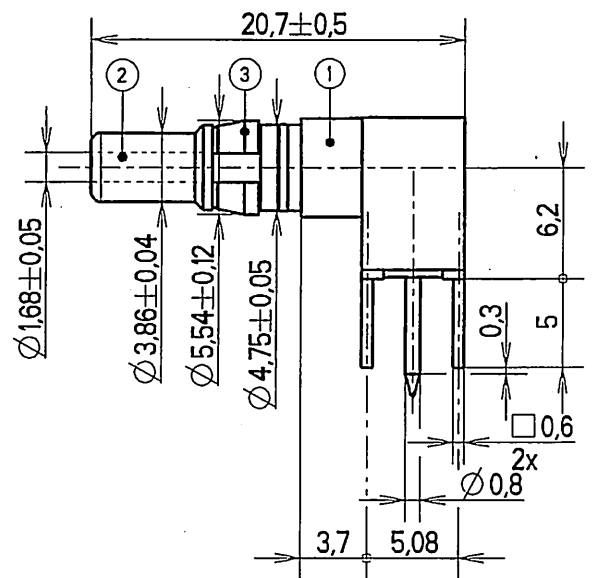
**Male Coaxial Contact  
(Female Centre Contact)**



Variant 21



Variant 24



Variant 23

1. Outer contact.
2. Centre contact.
3. Ring.

Dimensions in millimetres

**DRAFT**