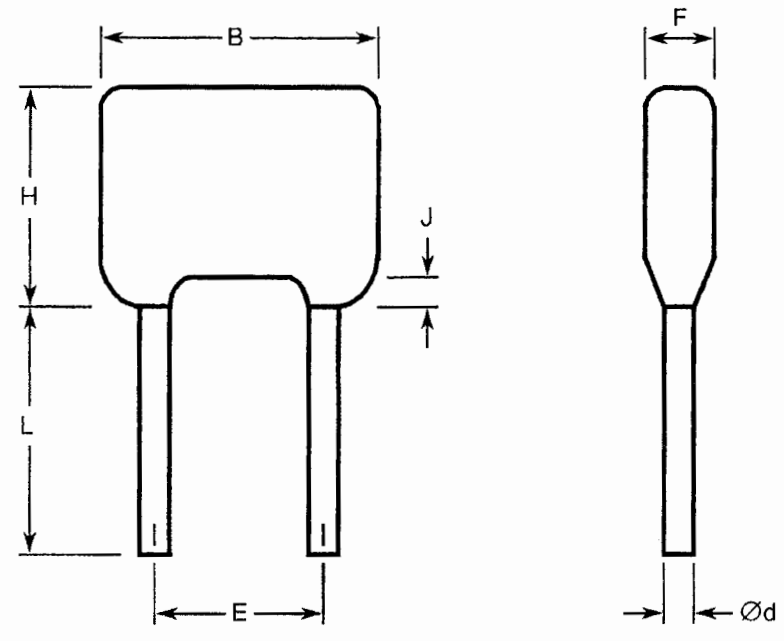
	ESA/SCC Detail Specification No. 3001/033	PAGE 8
			ISSUE 1

FIGURE 2 - PHYSICAL DIMENSIONS

FIGURE 2(a) - VR STYLE



Variant	Case Size	Dimensions (mm)								
		B	Ød		E		F	H	J	L
		(max)	(min)	(max)	(min)	(max)	(max)	(max)	(max)	(min)
01	VR30S	7.62	0.51	0.81	4.58	5.58	5.00	4.60	1.50	31.70
02	VR30	7.62	0.51	0.81	4.58	5.58	5.00	7.62	1.50	31.70
03	VR40	10.16	0.51	0.81	4.58	5.58	5.00	11.70	1.50	31.70
04	VR50	12.70	0.59	0.69	9.66	10.66	5.10	14.20	1.50	31.70
05	VR66	17.50	0.86	0.96	14.20	15.20	6.40	16.50	1.50	31.70
06	VR84	23.62	0.86	0.96	20.40	22.00	6.40	17.78	1.50	31.70
07	VR90	23.50	0.86	0.96	20.40	22.00	6.40	19.78	1.50	31.70

0.46 0.56

9.62

19.78